



Power System Engineering

3 Days Workshop in Bangkok
April 24 – 26, 2007

[Register Today](#)

Description :

This hands-on workshop provides the skills, knowledge, and techniques necessary to become proficient in ETAP to conduct power system studies, from modeling to analysis. The purpose of this workshop is to develop a thorough understanding of ETAP's capabilities and analytical techniques to solve a variety of practical problems.

An overview of the ETAP user interface will be covered including System Modeling (sources, branches, loads, protective devices, etc.), One-Line Diagram, Libraries (data and interface), 3-Dimensional Database (presentation, configuration, and engaging data), Cable Systems (ampacity and sizing), Report Manager, Wizard, etc. A Computer workstation is provided for each attendee.

Who Should Attend :

The workshop are tailored for both intermediate and advanced Electrical Engineers.

Instructor :

Operation Technology Inc. U.S.A. Engineer

Fee:

Course Fee : **US\$. 1,095-00** per person
Fee does not include lodging, transportation and taxes.
Payment by Check and TT accepted

Time : 08.30 am – 4.30 pm

Registration :

Mille Mega Power Solutions

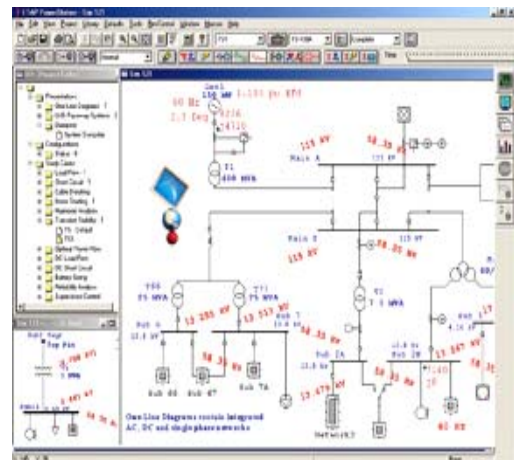
627A Aljunied Road # 04-01 BizTech Centre Singapore 389842

Tel. : (65) 64814106, Fax : (65) 64814609

E-mail : m2powersolution@singnet.com.sg

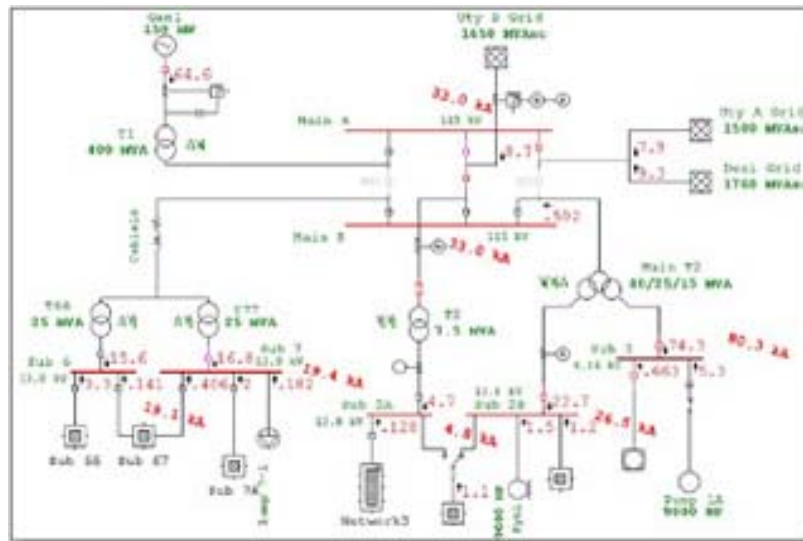
Website : www.mmpss.com

Contact : Mr. Robin Goh





Power System Engineering 3-Day Agenda



**Workshop
Day**

**Session
08.30 am – 04.30 pm**

Day 1	<ul style="list-style-type: none"> ➤ Overview ➤ One-Line Diagram ➤ Libraries ➤ Load Flow 	<ul style="list-style-type: none"> ➤ Panel Systems ➤ Cable Systems ➤ Short-Circuit
Day 2	<ul style="list-style-type: none"> ➤ Arc Flash ➤ Device Coordination ➤ Ground Grid Systems 	<ul style="list-style-type: none"> ➤ Transformer Sizing ➤ Motor Acceleration ➤ Parameter Estimation
Day 3	<ul style="list-style-type: none"> ➤ Harmonic Analysis ➤ Transient Stability 	<ul style="list-style-type: none"> ➤ Generator Start-Up ➤ User-Define Dynamic Models



Registration Form

Power System Engineering

April 24 – 26, 2007
Bangkok
US\$. 1,095-00 per person

Please complete a registration with payment to **Mille Mega Power Solutions** to confirm registration. Reservations are taken on a first come, first serve basis. Submitting this form electronically does NOT confirm your reservation. Contact m2powersolution@singnet.com.sg if you have any questions.

Name _____

Position _____

Company _____

Address _____

Phone _____ Fax _____

E-mail _____

() Enclosed is my cheque no. _____ crossed & made payable to : **Mille Mega Power Solutions**

Remark:

1. A confirmation letter will be sent to you upon receipt of the enrollment form.
2. Any cancellation must be in writing and received by 14 days prior to the course date. Otherwise the full fee will be chargeable. **Mille Mega Power Solutions** reserves the right to reschedule, change venue or cancel the course due to unforeseen circumstances.
3. Course fee does not include lodging, transportation and taxes.

Note : For group registration, please photocopy this form for submission