



# Advanced Power System Engineering Dynamics and Stability Analysis

**3 Days Workshop In Singapore  
26 – 28 June 2007**

## **Description:**

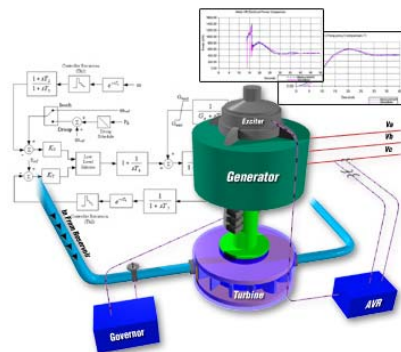
This advanced hands-on workshop provides the skills, knowledge, and techniques necessary to become proficient in ETAP to conduct power system studies, from modeling to analysis. The purpose of this workshop is to develop a thorough understanding of ETAP's capabilities and analytical techniques to solve a variety of practical problems. Dynamics and Transients are accurately model system disturbances and events while performing studies such as load shedding and fast bus transfer. A computer workstation is provided for each attendee.

## **Who Should Attend:**

This advanced workshop is tailored for those who have previously attended an ETAP workshop.

## **Topics:**

Transient Stability, Parameter Estimation, Generator Start-Up, User-Defined Dynamic Models.



## **Hotel:**

All travel and hotel arrangements are the responsibility of the attendees.

## **Instructor :**

Operation Technology Inc. U.S.A. Engineer

## **Course Fee:**

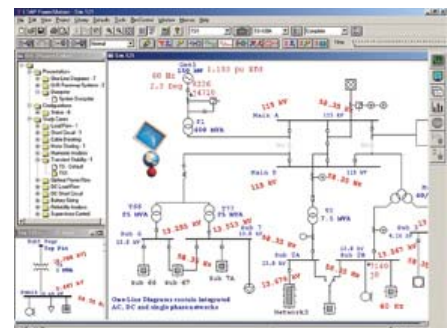
**US\$. 1,095-00** per person

*Fee does not include lodging, transportation and taxes.*

Payment by Check and TT accepted

**Time:** 8:30 a.m. - 4:30 p.m.

## **Information / Registration :**



## **Cahaya Jaya Services**

627A Aljuned Road #04-01 BizTech Centre, Singapore 389842

**Telp.** (65) 6481 4106 **Fax.** (65) 6481 4609

**E-mail :** [cahayaj6@singnet.com.sg](mailto:cahayaj6@singnet.com.sg)

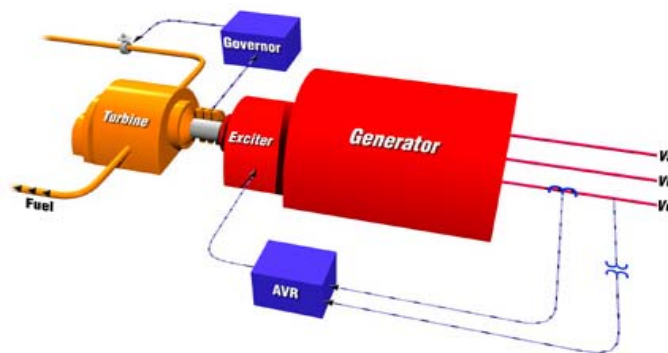
**Contact :** Mr. Robin Goh



# Advanced Power System Engineering

## Dynamics and Stability Analysis

### Agenda



**Workshop Day**

**Morning Session**  
8:30 A.M. – Noon

**Afternoon Session**  
1:00 P.M. – 4:30 P.M.

Workshop Day	Morning Session 8:30 A.M. – Noon	Afternoon Session 1:00 P.M. – 4:30 P.M.
Day 1	➤ Overview	<ul style="list-style-type: none"> <li>➤ Transient Stability</li> <li>➤ Parameter Estimation</li> </ul>
Day 2	➤ Transient Stability	➤ Transient Stability
Day 3	➤ Generator Start-Up	➤ User-Defined Dynamic Models

[www.etap.com](http://www.etap.com)



# Registration Form

## Advanced Power System Engineering Dynamics and Stability Analysis

**26 – 28 June 2007**  
**Hotel in Singapore**  
**US\$. 1,095-00 per person**

Please complete a registration with payment to **Cahaya Jaya Services** to confirm registration. Reservations are taken on a first come, first serve basis. Submitting this form electronically does NOT confirm your reservation. Contact [cahayaj6@singnet.com.sg](mailto:cahayaj6@singnet.com.sg) if you have any questions.

Name \_\_\_\_\_

Position \_\_\_\_\_

Company \_\_\_\_\_

Address \_\_\_\_\_

Phone \_\_\_\_\_ Fax \_\_\_\_\_

E-mail \_\_\_\_\_

( ) Enclosed is my cheque no. \_\_\_\_\_ crossed & made payable to :  
**Cahaya Jaya Services**

**Remark:**

1. A confirmation letter will be sent to you upon receipt of the enrollment form.
2. Any cancellation must be in writing and received by 14 days prior to the course date. Otherwise the full fee will be chargeable. Cahaya Jaya Services reserves the right to reschedule, change venue or cancel the course due to unforeseen circumstances.
3. Course fee does not include lodging, transportation and taxes.

**Note :** For group registration, please photocopy this form for submission.