



Advanced Power System Engineering Dynamics and Stability Analysis

**3 Days Workshop In Singapore
24 – 26 October 2007**

Description:

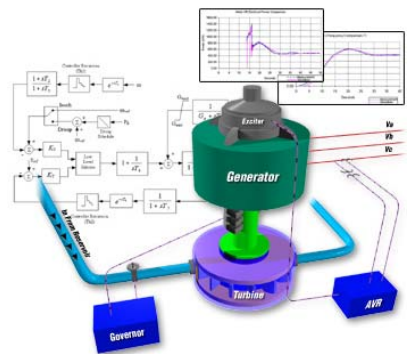
This advanced hands-on workshop provides the skills, knowledge, and techniques necessary to become proficient in ETAP to conduct power system studies, from modeling to analysis. The purpose of this workshop is to develop a thorough understanding of ETAP's capabilities and analytical techniques to solve a variety of practical problems. Dynamics and Transients are accurately model system disturbances and events while performing studies such as load shedding and fast bus transfer. A computer workstation is provided for each attendee.

Who Should Attend:

This advanced workshop is tailored for those who have previously attended an ETAP workshop.

Topics:

Transient Stability, Parameter Estimation, Generator Start-Up, User-Defined Dynamic Models.



Hotel:

All travel and hotel arrangements are the responsibility of the attendees.

Instructor :

Operation Technology Inc. U.S.A. Engineer

Course Fee:

US\$. 1,095-00 per person

Fee does not include lodging, transportation and taxes.

Payment by Check and TT accepted

Time: 8:30 a.m. - 4:30 p.m.

Information / Registration :



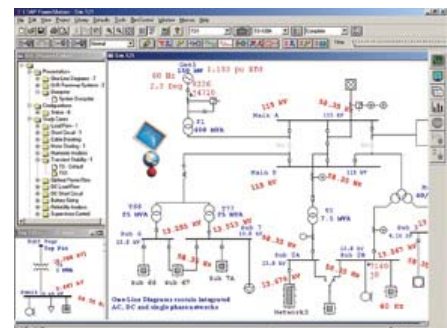
Cahaya Jaya Services

627A Aljuned Road #04-01 BizTech Centre, Singapore 389842

Telp. (65) 6481 4106 **Fax.** (65) 6481 4609

E-mail : cahayaj6@singnet.com.sg

Contact : Mr. Robin Goh

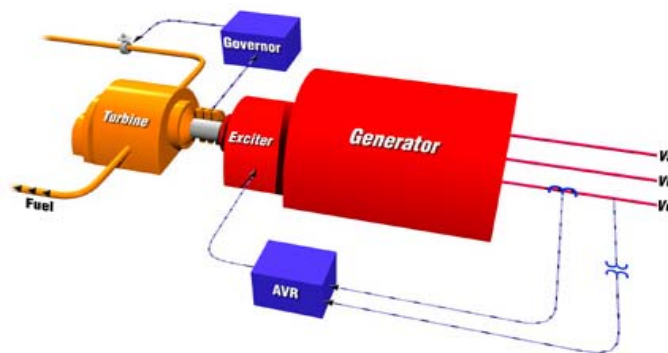




Advanced Power System Engineering

Dynamics and Stability Analysis

Agenda



Workshop Day

Morning Session
8:30 A.M. – Noon

Afternoon Session
1:00 P.M. – 4:30 P.M.

Workshop Day	Morning Session 8:30 A.M. – Noon	Afternoon Session 1:00 P.M. – 4:30 P.M.
Day 1	➤ Overview	<ul style="list-style-type: none"> ➤ Transient Stability ➤ Parameter Estimation
Day 2	➤ Transient Stability	➤ Transient Stability
Day 3	➤ Generator Start-Up	➤ User-Defined Dynamic Models

www.etap.com



Registration Form

Advanced Power System Engineering Dynamics and Stability Analysis

24 – 26 October 2007
Hotel in Singapore
US\$. 1,095-00 per person

Please complete a registration with payment to **Cahaya Jaya Services** to confirm registration. Reservations are taken on a first come, first serve basis. Submitting this form electronically does NOT confirm your reservation. Contact cahayaj6@singnet.com.sg if you have any questions.

Name _____

Position _____

Company _____

Address _____

Phone _____ Fax _____

E-mail _____

() Enclosed is my cheque no. _____ crossed & made payable to :
Cahaya Jaya Services

Remark:

1. A confirmation letter will be sent to you upon receipt of the enrollment form.
2. Any cancellation must be in writing and received by 14 days prior to the course date. Otherwise the full fee will be chargeable. Cahaya Jaya Services reserves the right to reschedule, change venue or cancel the course due to unforeseen circumstances.
3. Course fee does not include lodging, transportation and taxes.

Note : For group registration, please photocopy this form for submission.